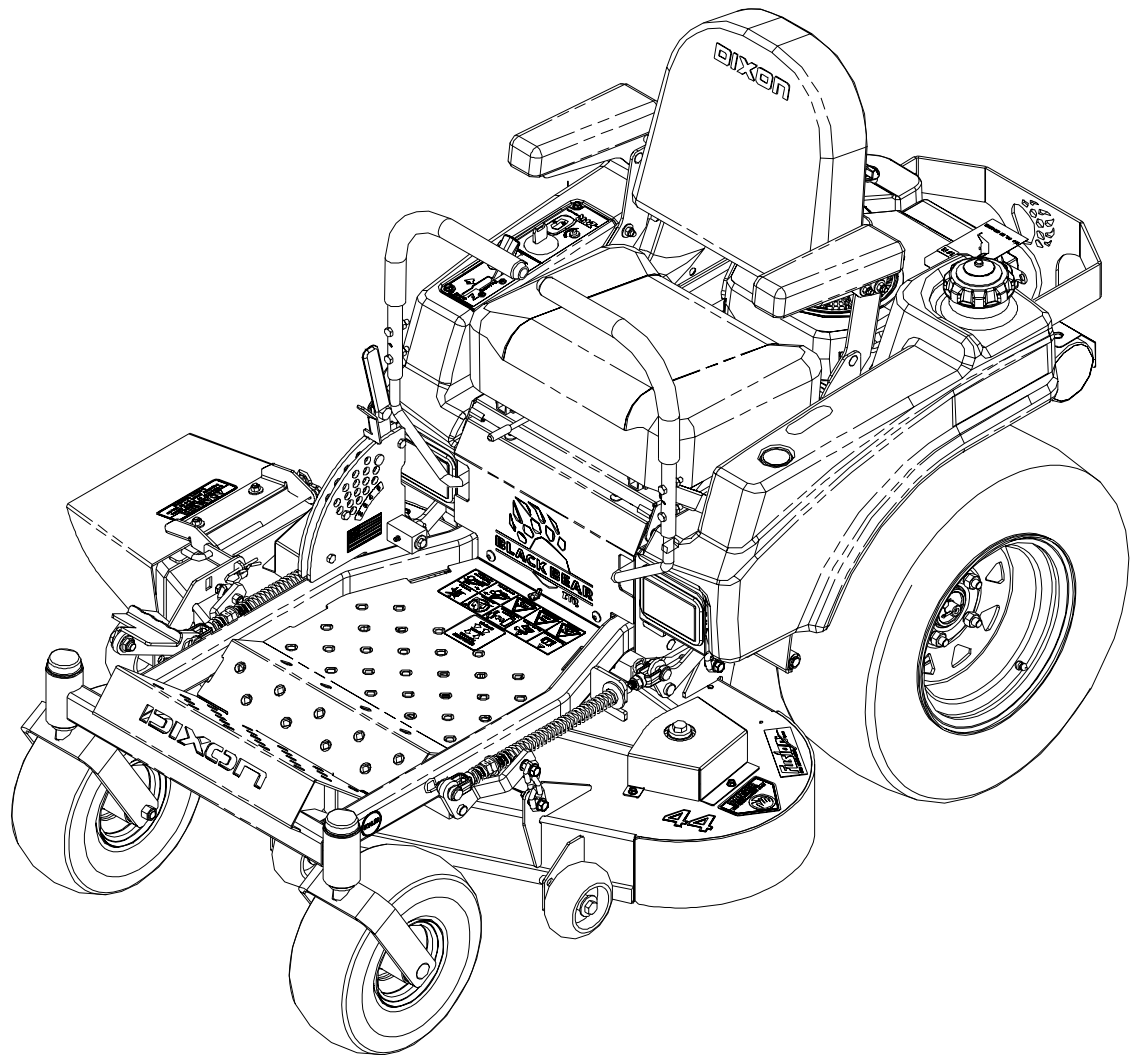


DIXON® ZTR®

BLACK BEAR™ ZTR®



Parts Manual

KOHLER 34 / 968999618

KAWASAKI 34 / 968999619

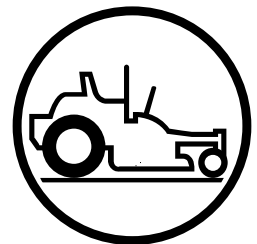
KOHLER 34 / 968999564

KOHLER 44 / 968999565

KAWASAKI 34 / 968999566

KAWASAKI 44 / 968999690

KAWASAKI 34 / 968999731



English

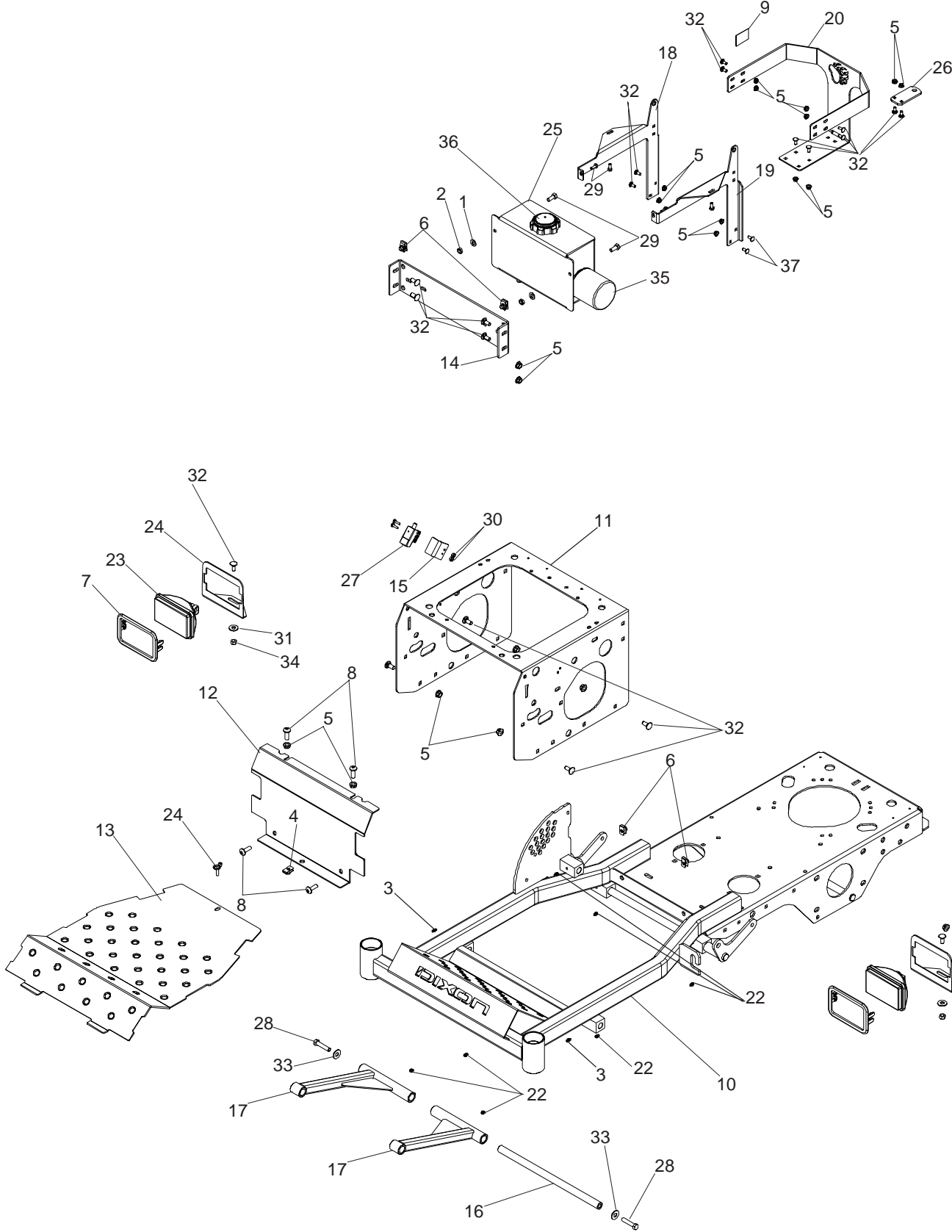
Please read the operator's manual carefully and make sure you understand the instructions before using the machine.

CONTENTS

CHASSIS / MAINFRAME	4
KAWASAKI 16 HP	6
KOHLER 18 HP	8
KAWASAKI 17 HP AND 19 HP	10
STEERING	12
PARKING BRAKE	14
HYDRAULIC PUMP-MOTOR	16
MOWER LIFT / DECK LIFT	18
34" DECK	20
44" DECK	22
CONTROLS	24
FUEL SYSTEM.....	26
SEAT	28
CASTERS	30
ELECTRICAL	32
DRIVE	34
DECALS	36

NOTE: ALL FASTENERS ARE GRADE 5 UNLESS OTHERWISE SPECIFIED.

CHASSIS / MAINFRAME

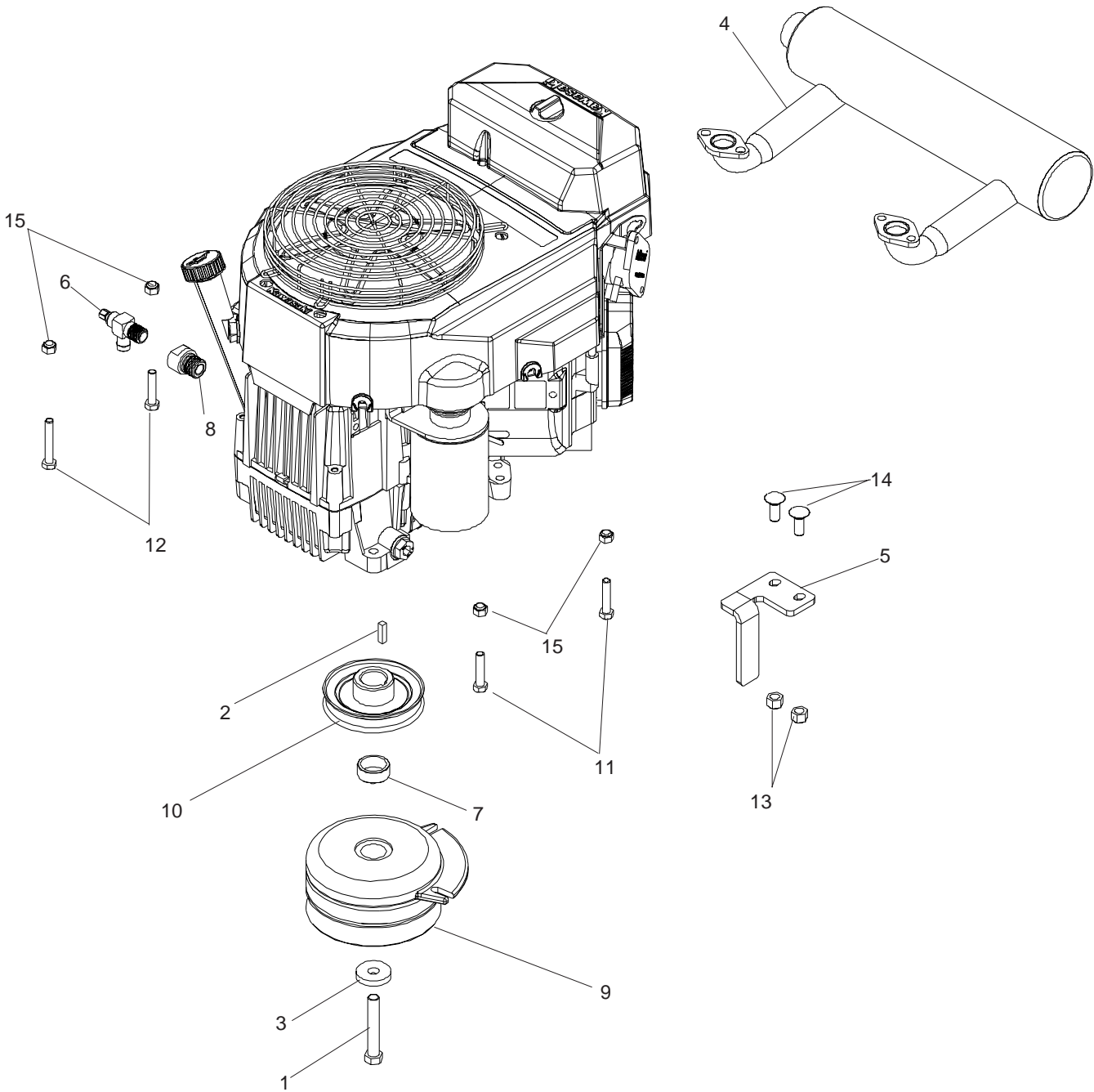


CHASSIS / MAINFRAME

ITEM	PART NO.	QTY.	DESCRIPTION	ITEM	PART NO.	QTY.	DESCRIPTION
1...	539 115533	2...	⁵ / ₁₆ FLAT WASH TYPE A	19...	539 117956	1...	TANK SUPPORT
2...	539 115617	2...	⁵ / ₁₆ -18 HEX NUT W/NYLOC	20...	539 117957	1...	REAR GUARD
3...	539 115638	2...	GREASE ZERK	21...	539 118691	1...	¹ / ₄ -20 X ³ / ₄ WING SCREW
4...	539 115652	1...	U NUT, ¹ / ₄ -20	22...	539 118928	7...	GREASE ZERK - ¹ / ₄
5...	539 115674	9...	⁵ / ₁₆ -18 HEX FLANGE NUT	23...	539 119756	2...	HEADLIGHT
6...	539 115677	4...	CLIP NUT ⁵ / ₁₆ -18	24...	539 121332	2...	BRACKET, HEADLIGHT
7...	539 117107	2...	HEADLIGHT BEZEL	25...	539 121767	1...	TANK W/ FILTER, CAP
8...	539 117399	4...	BHSS ⁵ / ₁₆ -18 X 1	26...	539 121857	1...	HITCH
9...	539 117708	1...	DECAL, PARKER	27...	539 121861	1...	BRAKE SWITCH
10...	539 117795	1...	FRAME WLDMNT	28...	539 122697	2...	³ / ₈ -24 X 1- ³ / ₄ HHB GR 5
11...	539 117800	1...	CHANNEL SEAT MNT	29...	539 976934	5...	⁵ / ₁₆ -18 X ³ / ₄ HHB GR 5
12...	539 117801	1...	FRONT PANEL	30...	539 976977	2...	10-24 HEX NUT W/NYLOC
13...	539 117802	1...	FLOOR PLATE	31...	539 990188	2...	⁵ / ₁₆ FLAT WASHER
14...	539 117812	1...	CHANNEL, HYDRO MNT	32.	1539 990316	18...	⁵ / ₁₆ -18 X ³ / ₄ GR5 ZD
15...	539 117851	1...	MOUNT, SWITCH	33...	539 990517	7...	³ / ₈ FLAT WASHER
16...	539 117852	1...	SPACER, FRAME	34...	539 990717	2...	⁵ / ₁₆ -18 HEX NUT W/NYLOC
17...	539 117870	2...	TRAILING ARM WELD	35...	539 102606	1...	OIL FILTER
18...	539 117952	1...	FENDER SUPPORT	36...	539 121764	1...	CAP

ENGINE

KAWASAKI 16 HP



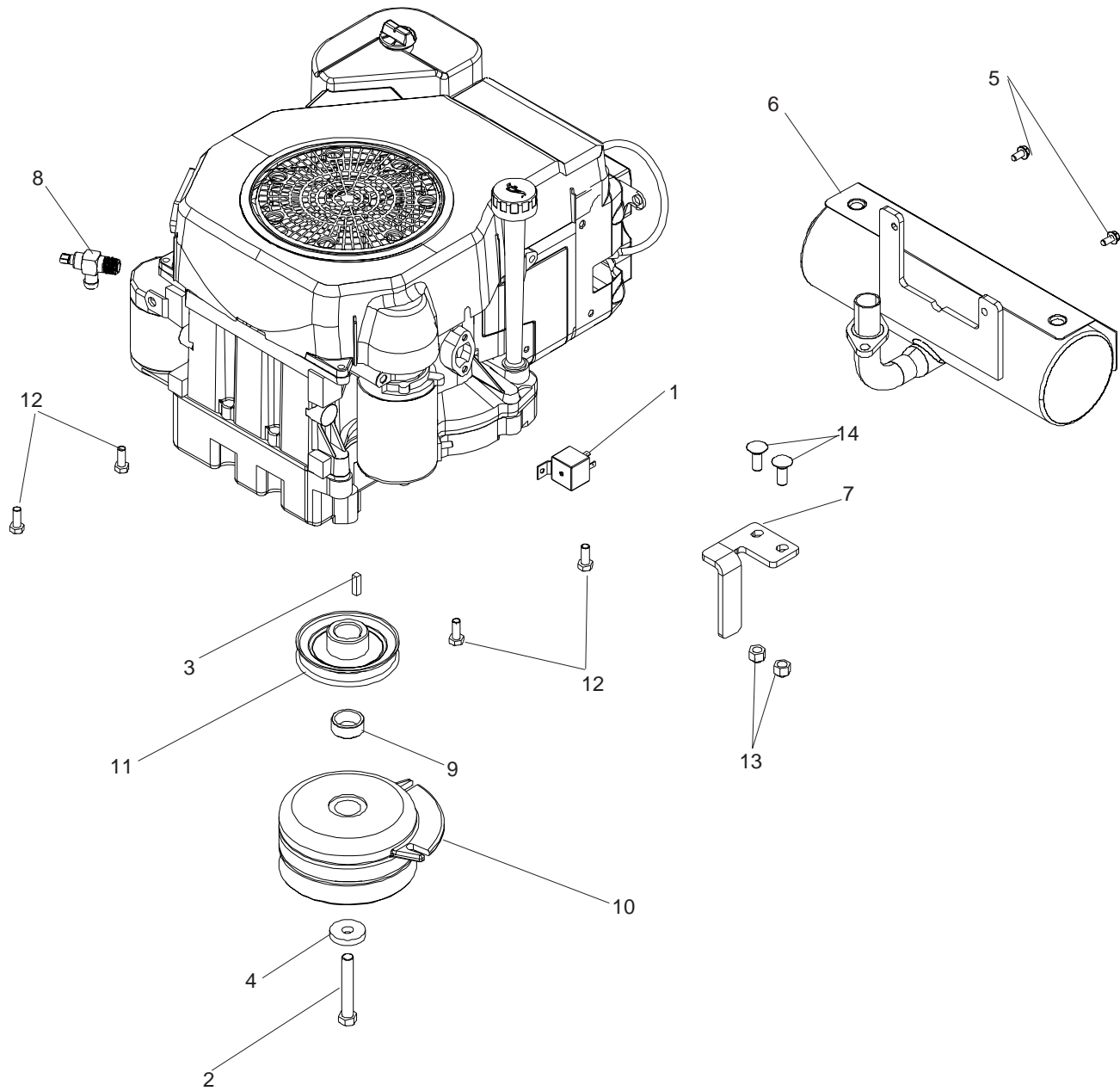
ENGINE

KAWASAKI 16 HP

ITEM	PART NO.	QTY.	DESCRIPTION	ITEM	PART NO.	QTY.	DESCRIPTION
1...	539 110065	... 1 ...	$7/16$ -20 X $2\frac{3}{4}$ HHB GR 5	9...	539 120786	... 1 ...	CLUTCH
2...	539 115387	... 1 ...	KEY $\frac{1}{4}$ X .88	10...	539 121308	... 1 ...	DRIVE PULLEY-ENGINE
3...	539 115546	... 1 ...	WASHER .445 X 1.387 X .255	11...	539 976935	... 2 ...	$5/16$ -18 X $1\frac{1}{2}$ HHB GR 5
4...	539 117902	... 1 ...	MUFFLER, KAWASAKI	12...	539 976937	... 2 ...	$5/16$ -18 X 2 HHB GR 5
5...	539 118005	... 1 ...	CLUTCH STOP	13...	539 976979	... 2 ...	$3/8$ -16 HEX NUT W/NYLOC
6...	539 118893	... 1 ...	OIL DRAIN	14...	539 990645	... 2 ...	$3/8$ -16 X 1 GR 5 ZD
7...	539 119489	... 1 ...	HUB BEARING SPACER	15...	539 990717	... 4 ...	$5/16$ -18 HEX NUT W/NYLOC
8...	539 119680	... 1 ...	ADAPTER, OIL DRAIN				

ENGINE

KOHLER 18 HP



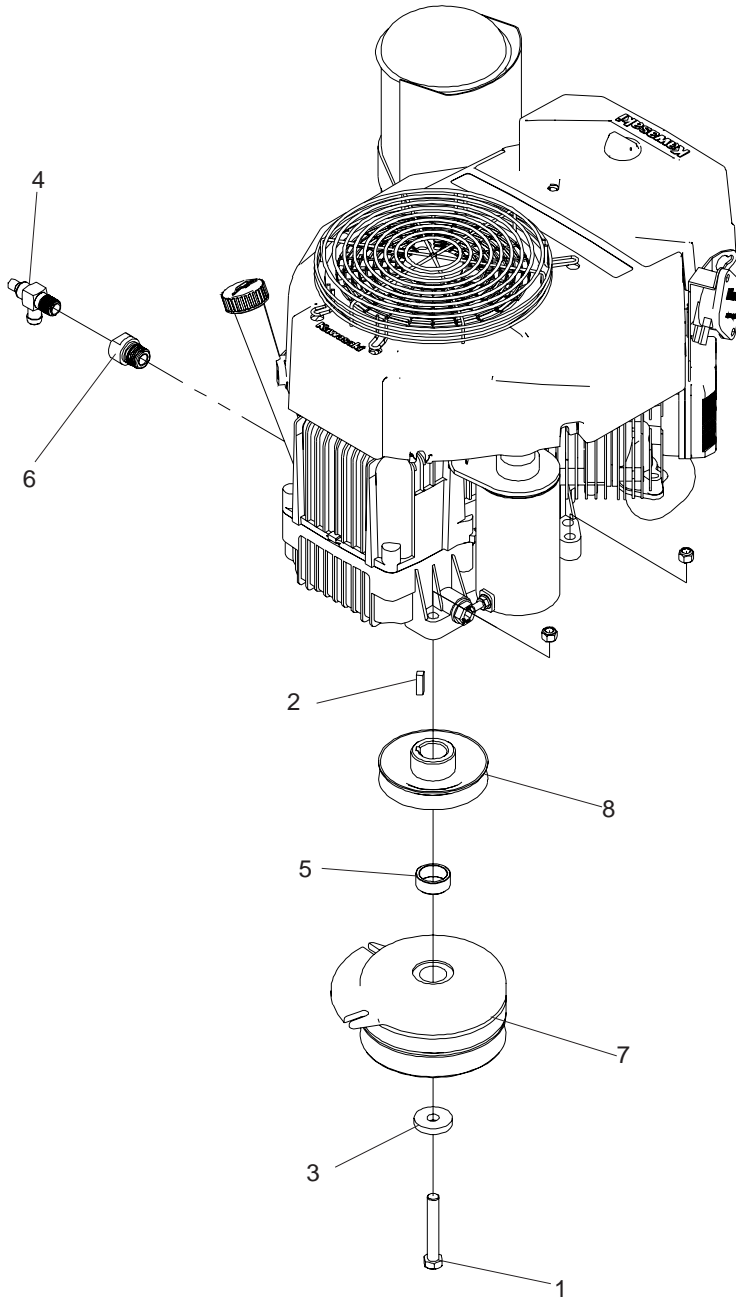
ENGINE

KOHLER 18 HP

ITEM	PART NO.	QTY.	DESCRIPTION	ITEM	PART NO.	QTY.	DESCRIPTION
1...	539 102914	1	RELAY	8...	539 118893	1	OIL DRAIN
2...	539 110065	1	$\frac{7}{16}$ -20 X $2\frac{3}{4}$ HHB	9...	539 119489	1	HUB BEARING SPACER
3...	539 115387	1	KEY $\frac{1}{4}$ X .88	10...	539 120786	1	CLUTCH
4...	539 115546	1	WASHER .445 X 1.387 X .255	11...	539 121308	1	DRIVE PULLEY-ENGINE
5...	539 115640	2	$\frac{1}{4}$ -20 X $\frac{1}{2}$ SCREW	12...	539 300600	4	M8 X $\frac{1}{4}$ X 20MM HEX BOLT
6...	539 117983	1	MUFFLER	13...	539 976979	2	$\frac{3}{8}$ -16 HEX NUT W/NYLOC
7...	539 118005	1	CLUTCH STOP	14...	539 990645	2	$\frac{3}{8}$ -16 X 1

ENGINE

KAWASAKI 17 HP AND 19 HP

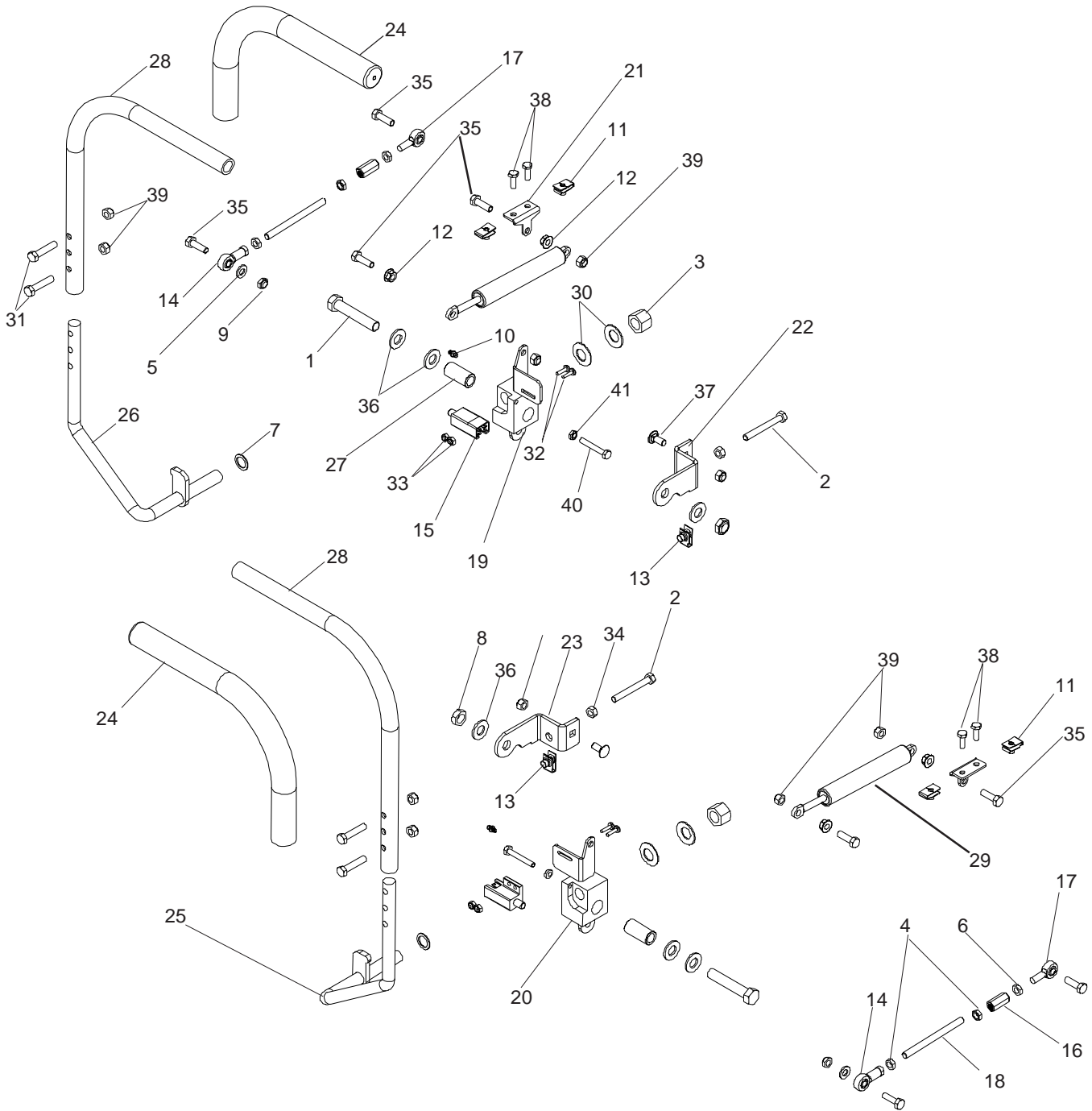


ENGINE

KAWASAKI 17 HP AND 19 HP

ITEM	PART NO.	QTY.	DESCRIPTION	ITEM	PART NO.	QTY.	DESCRIPTION
1...	539 110065	... 1 ...	BOLT, $\frac{7}{16}$ -20 X $2\frac{3}{4}$	5...	539 119489	... 1 ...	HUB, BEARING-SPACER
2...	539 115387	... 1 ...	KEY, $\frac{1}{4}$ X .88	6...	539 119680	... 1 ...	ADAPTOR, OIL DRAIN
3...	539 115546	... 1 ...	WASHER, $\frac{7}{16}$	7...	539 120786	... 1 ...	CLUTCH
4...	539 118893	... 1 ...	OIL DRAIN	8...	539 121308	... 1 ...	DRIVE PULLEY, ENGINE

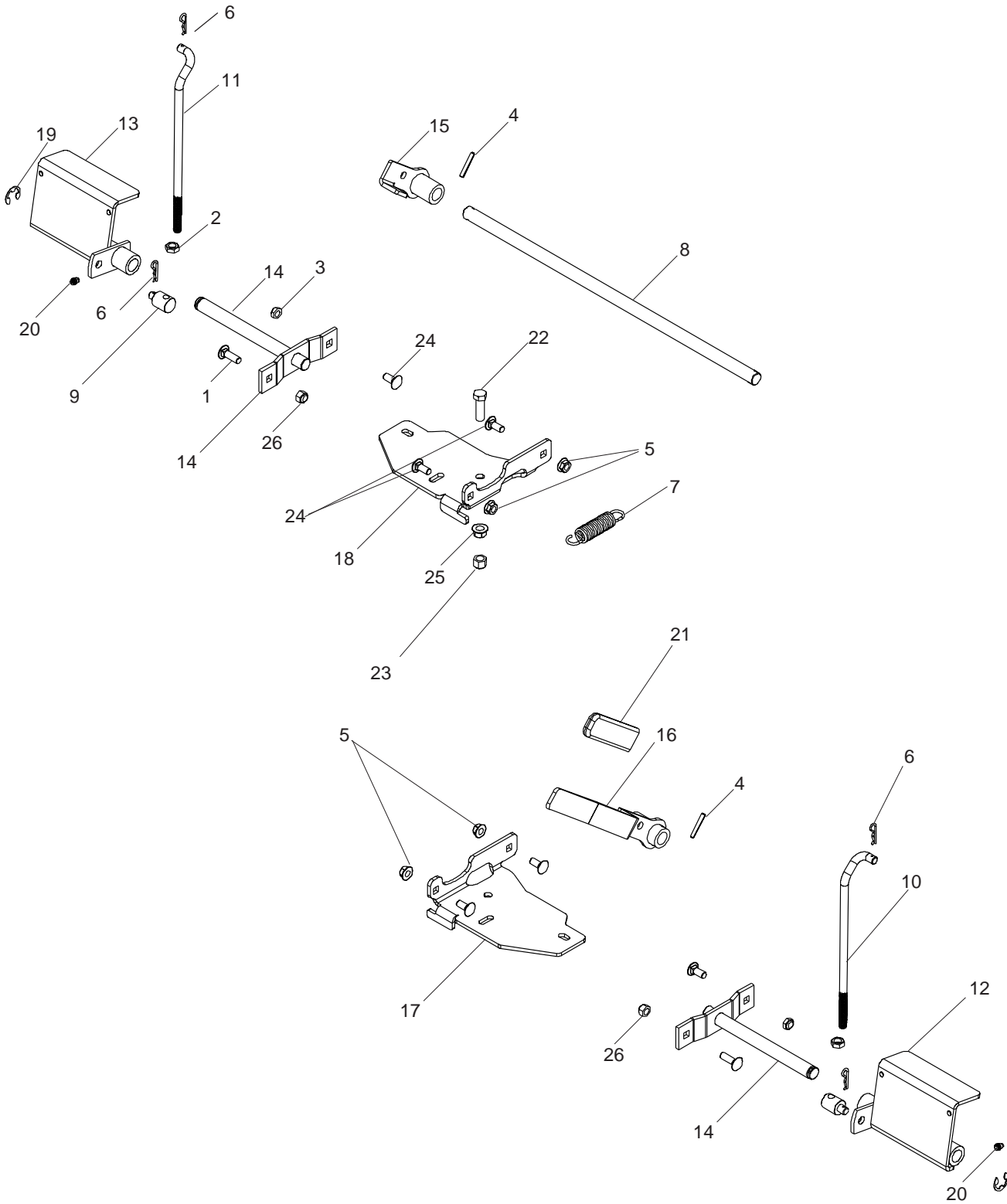
STEERING



STEERING

ITEM	PART NO.	QTY.	DESCRIPTION	ITEM	PART NO.	QTY.	DESCRIPTION
1...	539 101332	...	2... ½-13 X 2¾ HHB GR 5	22...	539 117949	...	1 ... SPRT, STEER CNTRL RH
2...	539 108396	...	2... 5/16-18 X 2½ HHB GR 5	23...	539 117950	...	1 ... SPRT, STEER CNTRL LH
3...	539 110340	...	2... 5/8-11 HEX NUT W/NYLOC	24...	539 120899	...	2... GRIP
4...	539 115502	...	4... 5/16-24 HEX JAM NUT	25...	539 120950	...	1 ... LEVER, PLATED LH
5...	539 115533	...	2... 5/16 FLAT WASH TYPE A	26...	539 120951	...	1 ... LEVER, PLATED RH
6...	539 991073	...	2... 5/16-24 HEX JAM NUT LH	27...	539 120956	...	2 ... BUSHING ½ ID X ¾ OD
7...	539 115570	...	2... WASHER, .626ID X.056	28...	539 121065	...	2... LEVER, UPPER
8...	539 108010	...	2... ½-13 HEX NUT W/NYLOC	29...	539 122645	...	2... DAMPER, DUAL ACTION
9...	539 115617	...	2... 5/16-18 HEX NUT W/NYLOC	30...	539 911121	...	4 ... BELLEVILLE WASHER, 5/8
10...	539 115638	...	2... GREASE ZERK	31...	539 976935	...	4 ... 5/16-18X1½ HHB GR 5
11...	539 110813	...	4... U NUT, ¼-20	32...	539 976952	...	4 ... PAN HD SCR,10-24 X 5/8
12...	539 115674	...	8... 5/16-18 HEX FLANGE NUT	33...	539 976977	...	4 ... 10-24 HEX NUT W/NYLOC
13...	539 115677	...	2... CLIP NUT 5/16-18	34...	539 990196	...	2 ... 5/16-18 HEX NUT
14...	539 115729	...	2... ROD END - RH	35...	539 990209	...	10 ... 5/16-18 X 1 HHB
15...	539 101080	...	2... DECK SWITCH	36...	539 990250	...	6 ... ½ FLAT WASH NARROW
16...	539 116689	...	2... ROD END COUPLER	37...	539 990316	...	2 ... 5/16-18 X ¾ ZD
17...	539 116690	...	2... ROD END - LH	38...	539 990580	...	4 ... ¼-20 X ¾ HHB
18...	539 117476	...	2... ROD	39...	539 990717	...	10 ... 5/16-18 HEX NUT W/NYLOC
19...	539 117863	...	1... PLATED PIVOT, RH	40...	539 991003	...	2 ... ¼-20 X 1¾ HHB
20...	539 117865	...	1... PLATED PIVOT, LH	41...	539 991112	...	2 ... ¼-20 HEX JAM NUT
21...	539 117900	...	2... MNT, DAMPNER				

PARKING BRAKE



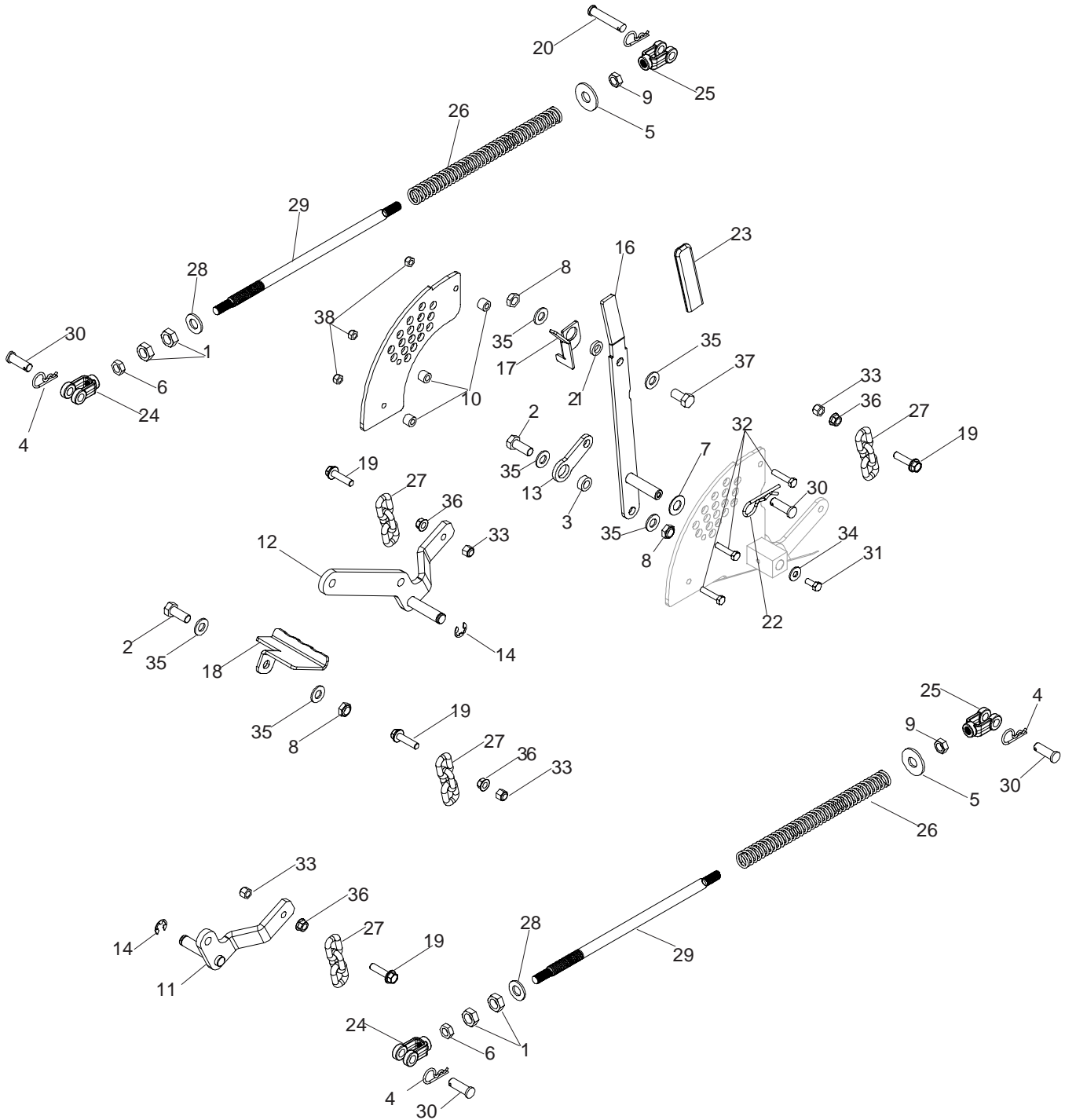
PARKING BRAKE

ITEM	PART NO.	QTY.	DESCRIPTION	ITEM	PART NO.	QTY.	DESCRIPTION
1...	539 107271	...	2... ⁵ / ₁₆ -18 X 1 GR5 ZD5	14...	539 117536	...	2... WLDMT, BRAKE PIVOT
2...	539 109332	...	2... ³ / ₈ -16 HEX JAM NUT	15...	539 117823	...	1... BRAKE LINK, DRILLED
3...	539 115617	...	2... ⁵ / ₁₆ -18 HEX NUT W/ NYLOC	16...	539 117824	...	1... BRAKE HANDLE DRILLED
4...	539 115668	...	2... ROLL PIN, ³ / ₁₆ X 1 ¹ / ₄	17...	539 117853	...	1... BRACKET, TANK MNT, LH
5...	539 115674	...	4... ⁵ / ₁₆ -18 HEX FLANGE NUT	18...	539 117854	...	1... BRACKET, TANK MNT, RH
6...	539 115680	...	4... HAIR PIN COTTER	19...	539 117898	...	2... E-RING ⁷ / ₈
7...	539 116350	...	1... SPRING	20...	539 118928	...	2... GREASE ZERK- ¹ / ₄
8...	539 117477	...	1... SHAFT, BRAKE	21...	539 120921	...	1... GRIP, BRAKE HANDLE
9...	539 117478	...	2... SWIVEL, BRAKE	22...	539 976941	...	1... ³ / ₈ -16 X 1 ¹ / ₄ HHB GR 5
10...	539 117522	...	1... ROD, BRAKE LH	23...	539 976979	...	1... ³ / ₈ -16 HEX NUT W/NYLOC
11...	539 117523	...	1... ROD, BRAKE RH	24...	539 990316	...	6... ⁵ / ₁₆ -18 X ³ / ₄ GR5 ZD
12...	539 117531	...	1... WLDMT, BRAKE SHOE LH	25...	539 990613	...	1... ³ / ₈ -16 HEX FLANGE NUT
13...	539 117532	...	1... WLDMT, BRAKE SHOE RH	26...	539 990717	...	2... ⁵ / ₁₆ -18 HEX NUT W/NYLOC

HYDRAULIC PUMP-MOTOR

ITEM	PART NO.	QTY.	DESCRIPTION	ITEM	PART NO.	QTY.	DESCRIPTION
1...	539 115278	... 1 ...	IDLER PULLEY	14...	539 118869	... 1 ...	3/8-16 X 3 HHB GR5
2...	539 115546	... 1 ...	WASHER.445 X 1.387 X .255	15...	539 118963	... 1 ...	1/2-13 X 1 3/4 HHB GR 5
3...	539 108010	... 1 ...	1/2-13 HEX NUT W/NYLOC	16...	539 121759	... 2 ...	FITTING HYDRAULIC
4...	539 116008	... 1 ...	BUSHING 1.90	17...	539 121760	... 3 ...	FITTING HYDRAULIC
5...	539 117855	... 1 ...	TUBE HYD LH-A	18...	539 121761	... 2 ...	FITTING HYDRAULIC
6...	539 117856	... 1 ...	TUBE HYD LH-B	19...	539 121859	... 1 ...	SPRING MOUNT
7...	539 117857	... 1 ...	TUBE HYD RH-A	20...	539 126888	... 2 ...	90 ADAPTER-MALE 9/16-18
8...	539 117858	... 1 ...	TUBE HYD RH-B	21...	539 126937	... 1 ...	3/8 INT EXT L-WASHER
9...	539 117872	... 1 ...	T-ASM HYD SUCTION	22...	539 976979	... 1 ...	3/8-16 HEX NUT W/NYLOC
10...	539 117873	... 1 ...	T-ASM HYD CASE DRAIN	23...	539 990517	... 1 ...	3/8 FLAT WASHER
11...	539 117885	... 1 ...	WLDT, BELT TENSIONER	24...	539 990563	... 1 ...	3/8-16 X 1 HHB
12...	539 118012	... 1 ...	V-BELT	25...	539 118002	... 1 ...	PUMP, LH
13...	539 118762	... 1 ...	SPRING	26...	539 118003	... 1 ...	PUMP, RH

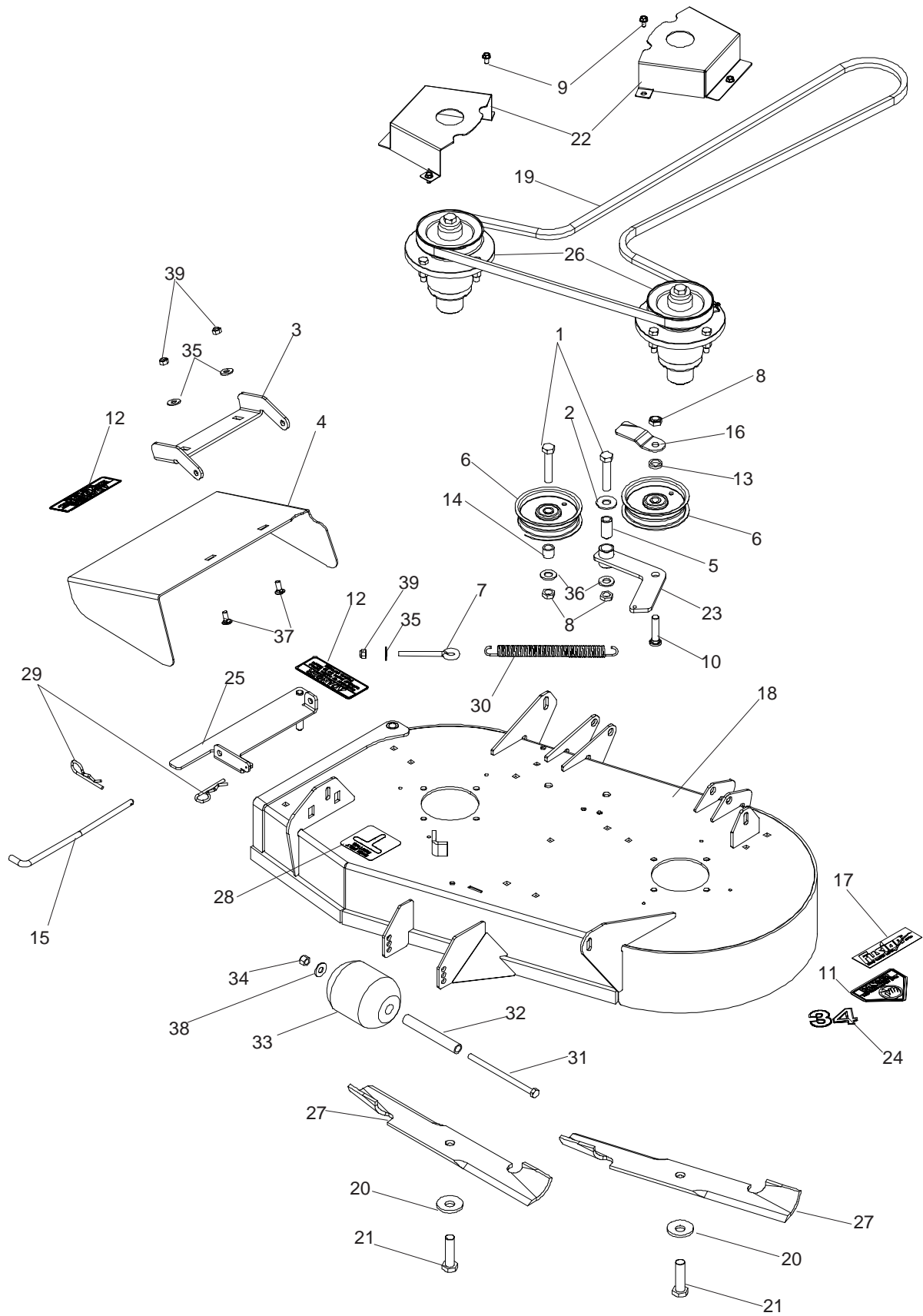
MOWER LIFT / DECK LIFT



MOWER LIFT / DECK LIFT

ITEM	PART NO.	QTY.	DESCRIPTION	ITEM	PART NO.	QTY.	DESCRIPTION
1...	539 100476	... 4...	$\frac{5}{8}$ -11 HEX JAM NUT	20...	539 118783	... 1 ...	CLEVIS PIN
2...	539 108369	... 2...	$\frac{1}{2}$ -13 X $\frac{1}{4}$ HHB GR 5	21...	539 119012	... 1 ...	SPACER
3...	539 115359	... 1 ...	BLADE ADAPTOR	22...	539 120259	... 1 ...	HAIR PIN COTTER
4...	539 115501	... 4...	HAIR PIN COTTER	23...	539 120921	... 1 ...	GRIP, BRAKE HANDLE
5...	539 115518	... 2...	$\frac{5}{8}$ STD FLAT WASHER	24...	539 121309	... 2 ...	FEMALE CLEVIS RH
6...	539 115558	... 2...	$\frac{1}{2}$ -20 HEX JAM NUT	25...	539 121321	... 2 ...	FEMALE CLEVIS LH
7...	539 115565	... 1 ...	$\frac{5}{8}$ X .063 WASHER	26...	539 121329	... 2 ...	LIFT SPRING
8...	539 108010	... 3...	$\frac{1}{2}$ -13 HEX NUT W/NYLOC	27...	539 121333	... 4 ...	CHAIN
9...	539 115769	... 2...	$\frac{1}{2}$ -20 HEX JAM NUT LH	28...	539 121338	... 2 ...	WASHER, .65 X $\frac{1}{4}$
10...	539 116039	... 3...	SPACER	29...	539 121557	... 2 ...	TIE BAR
11...	539 117833	... 1 ...	WLDT, LIFT ARM, LH	30...	539 122627	... 4 ...	CLEVIS PIN $\frac{1}{2}$ X $1\frac{1}{2}$
12...	539 117835	... 1 ...	WLDT, LIFT ARM, RH	31...	539 976934	... 1 ...	$\frac{5}{16}$ -18 X $\frac{3}{4}$ HHB GR 5
13...	539 117896	... 1 ...	LINK, LIFT HANDLE	32...	539 976935	... 3...	$\frac{5}{16}$ -18 X $1\frac{1}{2}$ HHB GR 5
14...	539 117898	... 2...	E-RING $\frac{7}{8}$	33...	539 976979	... 4 ...	$\frac{3}{8}$ -16 HEX NUT W/NYLOC
15...	539 117903	... 1 ...	OUTER QUADRANT	34...	539 990188	... 1 ...	$\frac{5}{16}$ FLAT WASHER
16...	539 117905	... 1 ...	LIFT HANDLE WELDMENT	35...	539 990250	... 6...	$\frac{1}{2}$ FLAT WSHER NARROW
17...	539 117946	... 1 ...	LIFT LATCH	36...	539 990613	... 4 ...	$\frac{3}{8}$ -16 HEX FLANGE NUT
18...	539 118061	... 1 ...	FOOT PEDAL	37...	539 990646	... 1 ...	$\frac{1}{2}$ -13 X 1 HHB
19...	539 118165	... 4...	$\frac{3}{8}$ -16 X $1\frac{1}{2}$ FLG HHB GR5	38...	539 990717	... 3...	$\frac{5}{16}$ -18 HEX NUT W/NYLOC

34" DECK



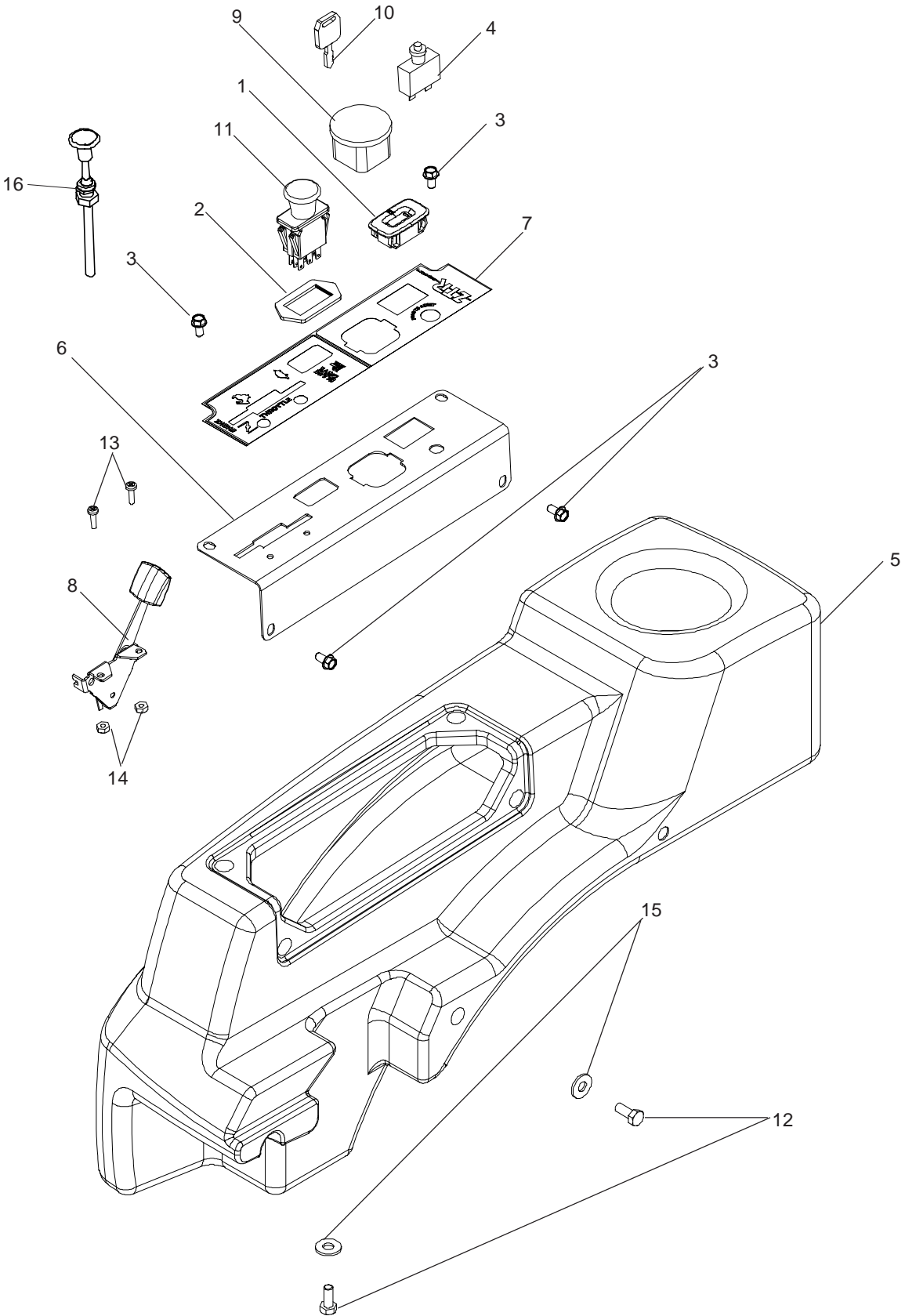
34" DECK

ITEM	PART NO.	QTY.	DESCRIPTION	ITEM	PART NO.	QTY.	DESCRIPTION
1...	539 108346	...	2... ½-13 X 2½ HHB GR 5	22...	539 117886	...	2... PULLEY GUARD, 34
2...	539 109554	...	1... ½ FLAT WASHER	23...	539 117888	...	1... IDLER WELDMENT
3...	539 114384	...	1... HINGE, DEFLECTOR	24...	539 117935	...	1... DECAL, 34
4...	539 114385	...	1... DEFLECTOR	25...	539 117945	...	1... DEFLECTOR MNT WLDMT
5...	539 115220	...	3... BUSHING ½ ID X ¾OD	26...	539 117955	...	2... SPINDLE ASSEMBLY
6...	539 115278	...	2... IDLER PULLEY	27...	539 118039	...	2... 34" HI-LIFT BLADE
7...	539 115574	...	1... EYEBOLT 5/16 X 3½	28...	539 118057	...	1... DECAL - BELT ROUTING
8...	539 115609	...	3... ½-13 HEX NUT W/NYLOC	29...	539 120259	...	2... HAIR PIN COTTER
9...	539 115640	...	6... ¼-20 X ½ SCREW	30...	539 120920	...	1... SPRING, DECK BELT
10...	539 115647	...	1... STUD ½-13 X 2	31...	539 121478	...	1... 3/8-16 X 6.0 HHB GR5
11...	539 115697	...	1... DECAL, DANGER	32...	539 122574	...	1... BUSHING
12...	539 115717	...	2... DECAL - DANGER	33...	539 122633	...	1... ROLLER, 3-¾
13...	539 115948	...	1... H.D. PULLEY SPACER	34...	539 976979	...	1... 3/8-16 HEX NUT W/NYLOC
14...	539 116010	...	1... TUBE-.51 X.75 X .63	35...	539 990188	...	3... 5/16 FLAT WASHER
15...	539 116225	...	1... DEFLECTOR PIN	36...	539 990250	...	2... ½ FLAT WASHER NARROW
16...	539 116351	...	1... BELT GUARD	37...	539 990316	...	2... 5/16-18 X ¾ GR5 ZD
17...	539 117707	...	1... DECAL, FUSION	38...	539 990517	...	1... 3/8 FLAT WASHER
18...	539 118099	...	1... DECK ASSEM W/DECALS	39...	539 990717	...	3... 5/16-18 HEX NUT W/NYLOC
19...	539 117811	...	1... V-BELT	40...	539 108346	...	2... HHB ½-13 X 2½
20...	539 117838	...	2... BLADE WASHER	41...	539 101331	...	2... ½-13 HEX NUT W/NYLOC
21...	539 117839	...	2... 5/8-18 X 2¼ HHB GR 8				

44" DECK

ITEM	PART NO.	QTY.	DESCRIPTION	ITEM	PART NO.	QTY.	DESCRIPTION
1...	539 101331	3...	½-13 HEX NUT W/NYLOC	21...	539 117839	3...	5/8-18 X 2¼ HHB GR 8
2...	539 107706	1...	½-13 X 2¼ HHB GR 5	22...	539 117843	3...	44 HI-LIFT FUSION
3...	539 108346	3...	½-13 X 2½ HHB GR 5	23...	539 117888	1...	IDLER WELDMENT
4...	539 108366	3...	½-13 X 4 HHB GR5	24...	539 117934	1...	DECAL, 44
5...	539 109554	4...	½ FLAT WASHER	25...	539 118156	1...	BELT
6...	539 114640	1...	HINGE, DEFLECTOR	26...	539 118241	3...	SPINDLE ASSEMBLY 44
7...	539 114641	1...	DEFLECTOR 44	27...	539 118678	1...	DEFLECTOR MNT WLDMT
8...	539 115220	1...	BUSHING ½ID X ¾OD	28...	539 118717	2...	PULLEY GUARD, 44
9...	539 115278	2...	IDLER PULLEY	29...	539 118915	2...	SPACER
10...	539 115574	1...	EYEBOLT 5/16 X 3½	30...	539 119555	1...	IDLER PULLEY
11...	539 115609	4...	½-13 HEX NUT W/NYLOC	31...	539 120259	2...	HAIR PIN COTTER
12...	539 115640	6...	¼-20 X ½ SCREW	32...	539 120920	1...	SPRING, DECK BELT
13...	539 115697	1...	DECAL, DANGER	33...	539 121433	3...	GAUGE WHEEL
14...	539 115717	2...	DECAL - DANGER	34...	539 122249	1...	DECAL - BELT ROUTING
15...	539 115948	1...	H.D. PULLEY SPACER	35...	539 990188	3...	5/16 FLAT WASHER
16...	539 116225	1...	DEFLECTOR PIN	36...	539 990250	5...	½ FLAT WASHER NARROW
17...	539 116351	1...	BELT GUARD	37...	539 990258	3...	½-13 HEX NUT
18...	539 117707	1...	DECAL, FUSION	38...	539 990316	2...	5/16-18 X ¾ GR5 ZD
19...	539 118446	1...	DECK ASSEM W / DECALS	39...	539 990717	3...	5/16-18 HEX NUT W/NYLOC
20...	539 117838	3...	BLADE WASHER				

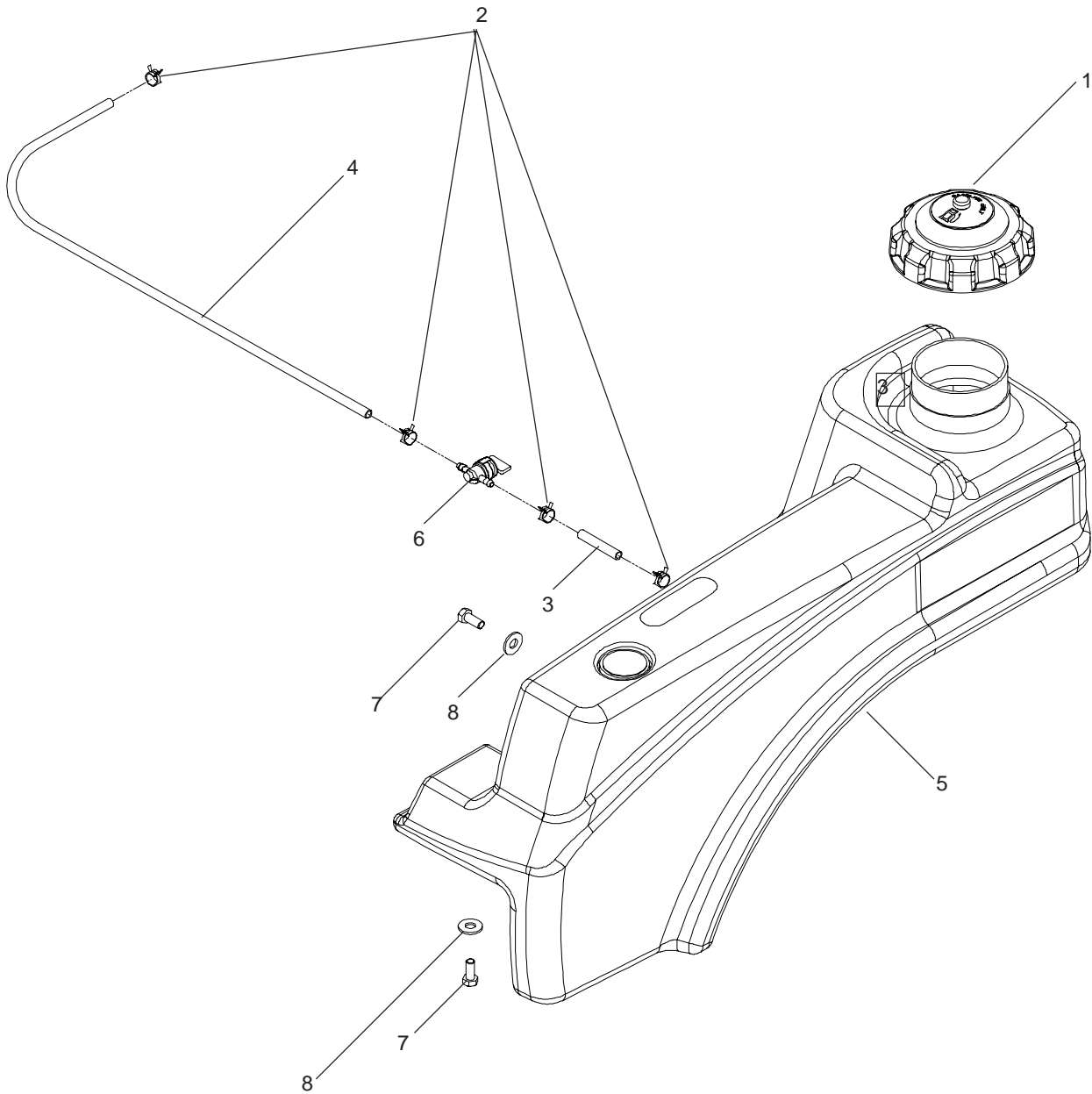
CONTROLS



CONTROLS

ITEM	PART NO.	QTY.	DESCRIPTION	ITEM	PART NO.	QTY.	DESCRIPTION
1...	539 110074	1...	HOUR METER	8...	539 118816	1...	THROTTLE CABLE
2...	539 115208	1...	BACKING PLATE	9...	539 107541	1...	IGNITION SWITCH
3...	539 115640	4...	¼-20X½ SCREW	10...	539 107544	1...	IGNITION SWITCH KEY
4...	539 115850	1...	CIRCUIT BREAKER	11...	539 101768	1...	CLUTCH SWITCH
5...	539 117805	1...	FENDER	12...	539 976934	2...	5/16-18 X ¾ HHB GR 5
6...	539 117908	1...	CONTROL PANEL	13...	539 976952	2...	PAN HD SCR #10-24 X 5/8
	539 131931	1...	CONTROL PANEL MODELS: 968999690, 968999731	14...	539 976977	2...	10-24 HEX NUT W/NYLOC
7...	539 117951	1...	DECAL,CONTROL PANEL	15...	539 990188	2...	5/16 FLAT WASHER
	539 131929	1...	DECAL, CONTROL PANEL MODELS: 968999690, 968999731	16...	539 112736	1...	CHOKE CABLE, MODELS: 968999690, 968999731

FUEL SYSTEM

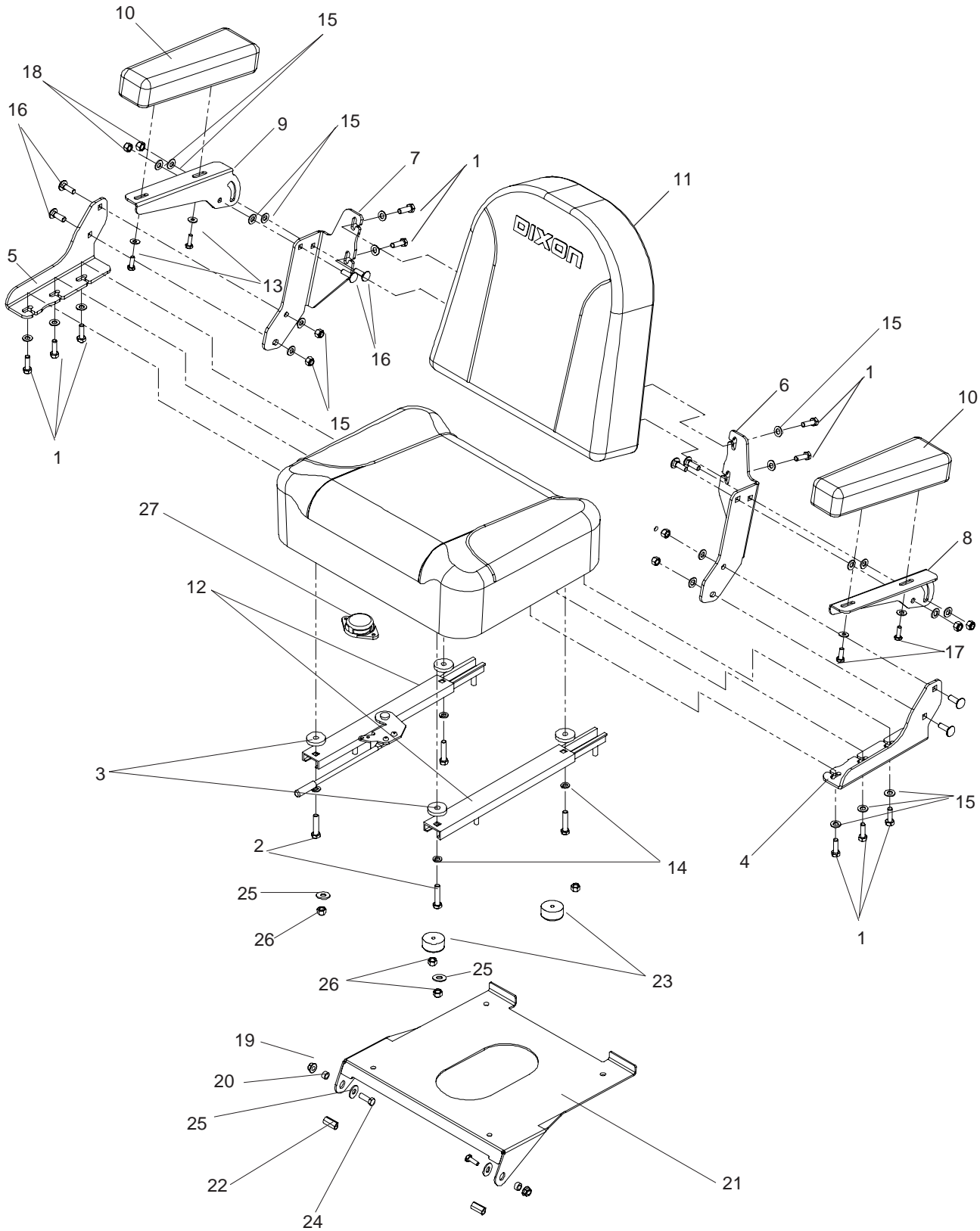


FUEL SYSTEM

ITEM	PART NO.	QTY.	DESCRIPTION
1...	539 106188 ...	1...	CAP, FUEL
2...	539 912222 ...	4...	FUEL LINE CLAMP
3...	539 115736 ...	1...	HOSE ¼ X 8
4...	539 117050 ...	1...	HOSE ¼ X 28

ITEM	PART NO.	QTY.	DESCRIPTION
5...	539 117803 ...	1...	FUEL TANK
6...	539 119272 ...	1...	FUEL VALVE
7...	539 976934 ...	4...	$\frac{5}{16}$ -18 X $\frac{3}{4}$ HHB GR 5
8...	539 990188 ...	4...	$\frac{5}{16}$ FLAT WASHER

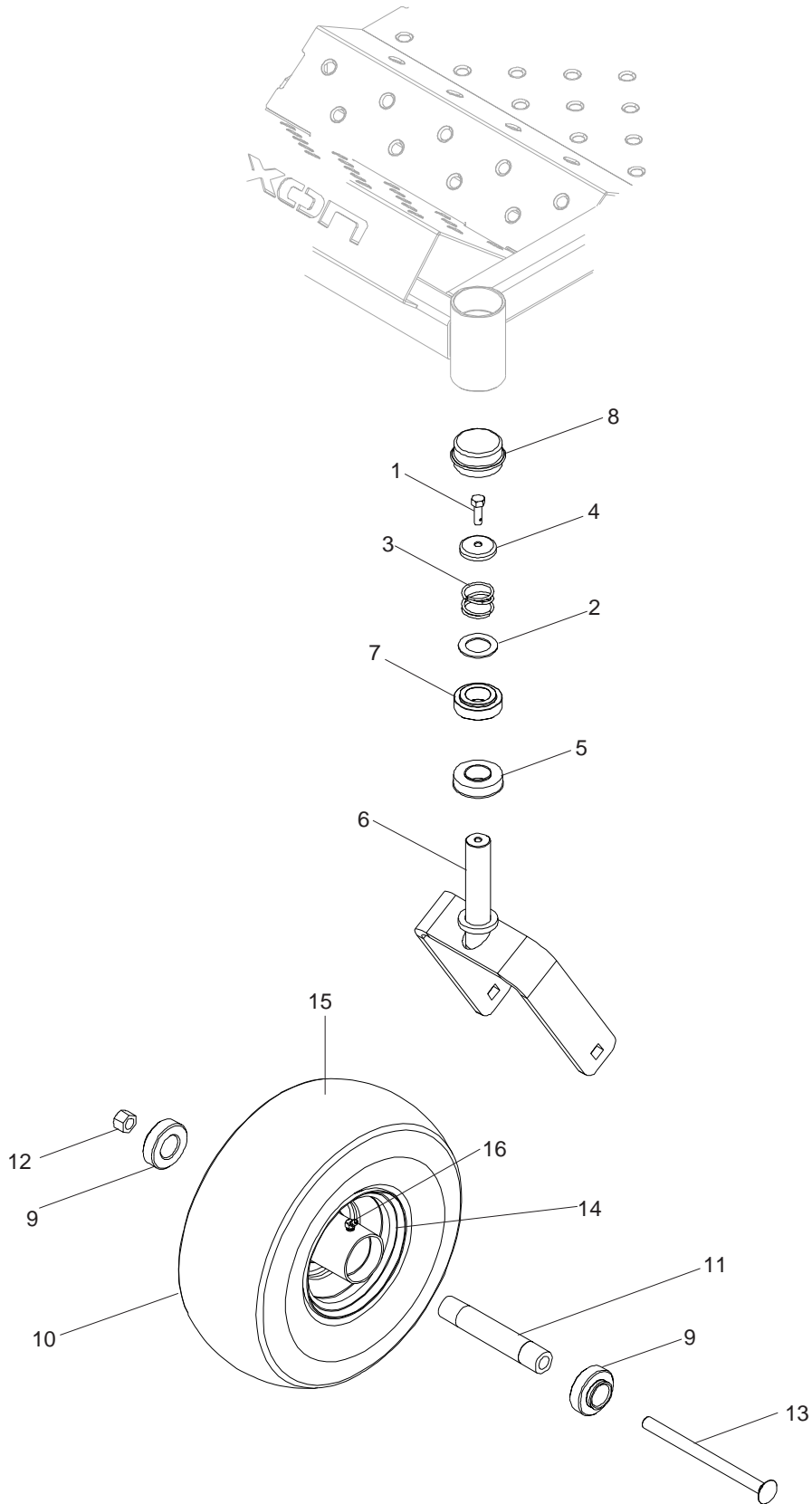
SEAT



SEAT

ITEM	PART NO.	QTY.	DESCRIPTION	ITEM	PART NO.	QTY.	DESCRIPTION
1...	539 115566	10...	$\frac{5}{16}$ -18 X 1.00 HHB W/NY	15...	539 990188	22...	WASHER $\frac{5}{16}$ SAE FLAT ZD
2...	539 115682	4...	$\frac{5}{16}$ -18 X 1.50 HHB W/NY	16...	539 990208	8...	RRSNB $\frac{5}{16}$ -18 X 1
3...	539 115789	4...	NYLON WASHER	17...	539 990580	4...	HCS $\frac{1}{4}$ -20 X $\frac{3}{4}$
4...	539 118627	1...	BOTTOM BRACKET - LH	18...	539 990717	8...	NUT $\frac{5}{16}$ -18 HEX NYLOC ZD
5...	539 118628	1...	BOTTOM BRACKET - RH	19...	539 115674	2...	$\frac{5}{16}$ -18 HEX FLANGE NUT
6...	539 118629	1...	SEAT BACK BRACKET - LH	20...	539 116091	2...	SPACER
7...	539 118630	1...	SEAT BACK BRACKET - RH	21...	539 117806	1...	SEAT PLATE
8...	539 121713	1...	ARM REST BRACKET - LH	22...	539 118102	2...	CLIP
9...	539 121714	1...	ARM REST BRACKET - RH	23...	539 119102	2...	ISO MOUNT $1\frac{1}{2}$ X $\frac{3}{4}$
10...	539 121719	2...	ARM REST	24...	539 976934	2...	$\frac{5}{16}$ -18 X $\frac{3}{4}$ HHB GR 5
11...	539 122380	1...	SEAT BACK	25...	539 990188	4...	$\frac{5}{16}$ FLAT WASHER
12...	539 128796	1...	SEAT SLIDE (SET)	26...	539 990717	4...	$\frac{5}{16}$ -18 HEX NUT W/NYLOK
13...	539 990055	4...	WASHER, $\frac{1}{4}$ FLAT SAE ZD	27...	539 117398	1...	SEAT SWITCH
14...	539 990187	4...	WASHER $\frac{5}{16}$ SLW ZD				

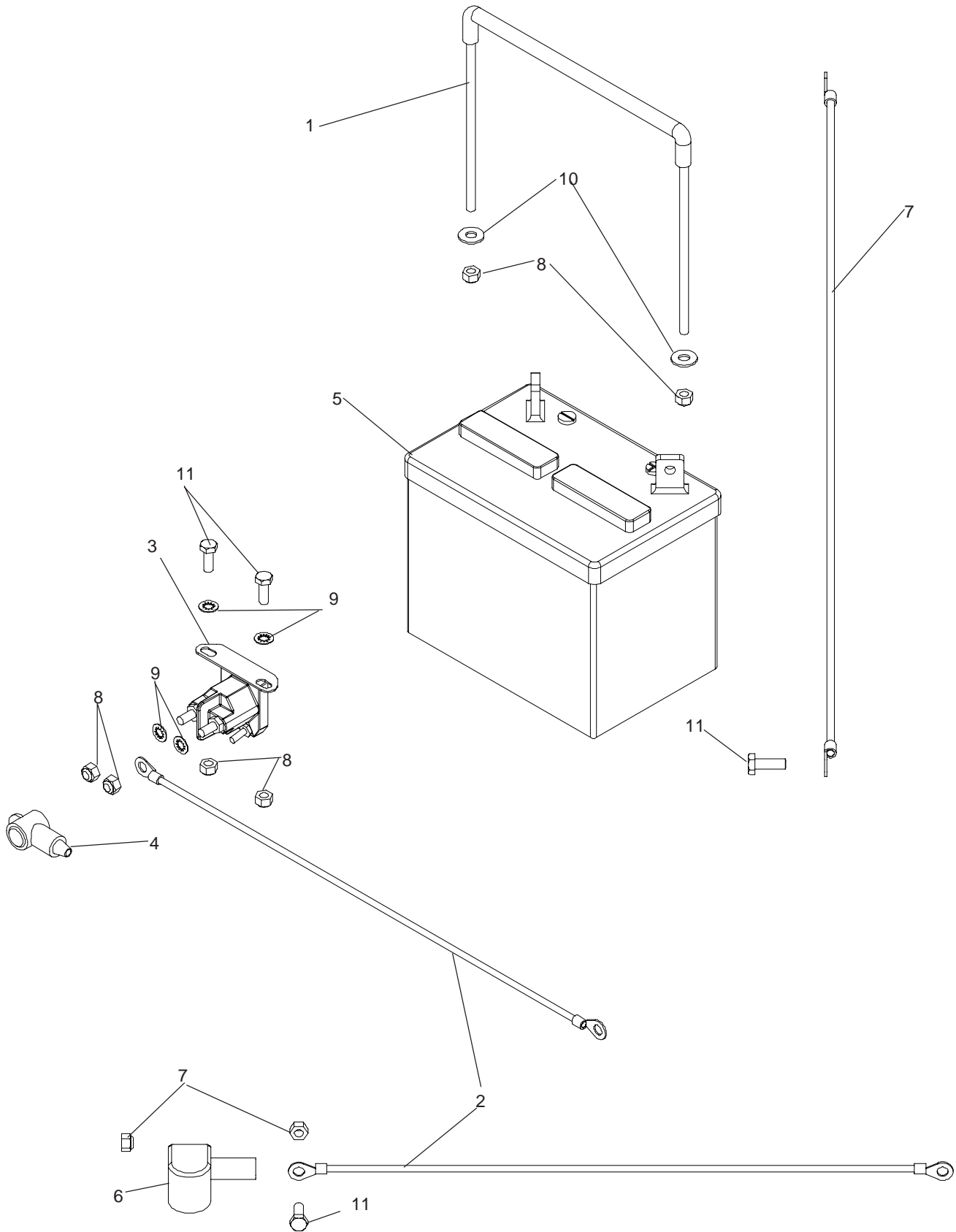
CASTERS



CASTERS

ITEM	PART NO.	QTY.	DESCRIPTION	ITEM	PART NO.	QTY.	DESCRIPTION
1...	539 115566	... 2...	⁵ / ₁₆ -18 X 1 HHB W/NY GR 5	9...	539 119759	... 4...	BEARING - ECC LOCK
2...	539 115675	... 2...	WASHER, 1.025 ID X 1.64 OD	10...	539 119898	... 2...	CASTER WHEEL & TIRE
3...	539 115747	... 2...	CASTER SPRING	11...	539 119904	... 2...	TUBE
4...	539 115749	... 2...	CASTER PLUG	12...	539 121591	... 2...	¹ / ₂ -13 HEX NUT W/NYLOC
5...	539 115750	... 2...	BEARING	13...	539 121749	... 2...	¹ / ₂ -13 X 6 ¹ / ₂ CAR BOLT(SAE)
6...	539 117784	... 2...	CASTER WLDT	14...	539 121219	... 1...	RIM
7...	539 117901	... 2...	CASTER BUSHING	15...	539 121220	... 1...	TIRE
8...	539 102535	... 2...	BEARING DUST CAP	16...	539 115638	... 1...	ZERK
				NOT SHOWN:			
				... 539 912234 ... 1 ... VALVE STEM			

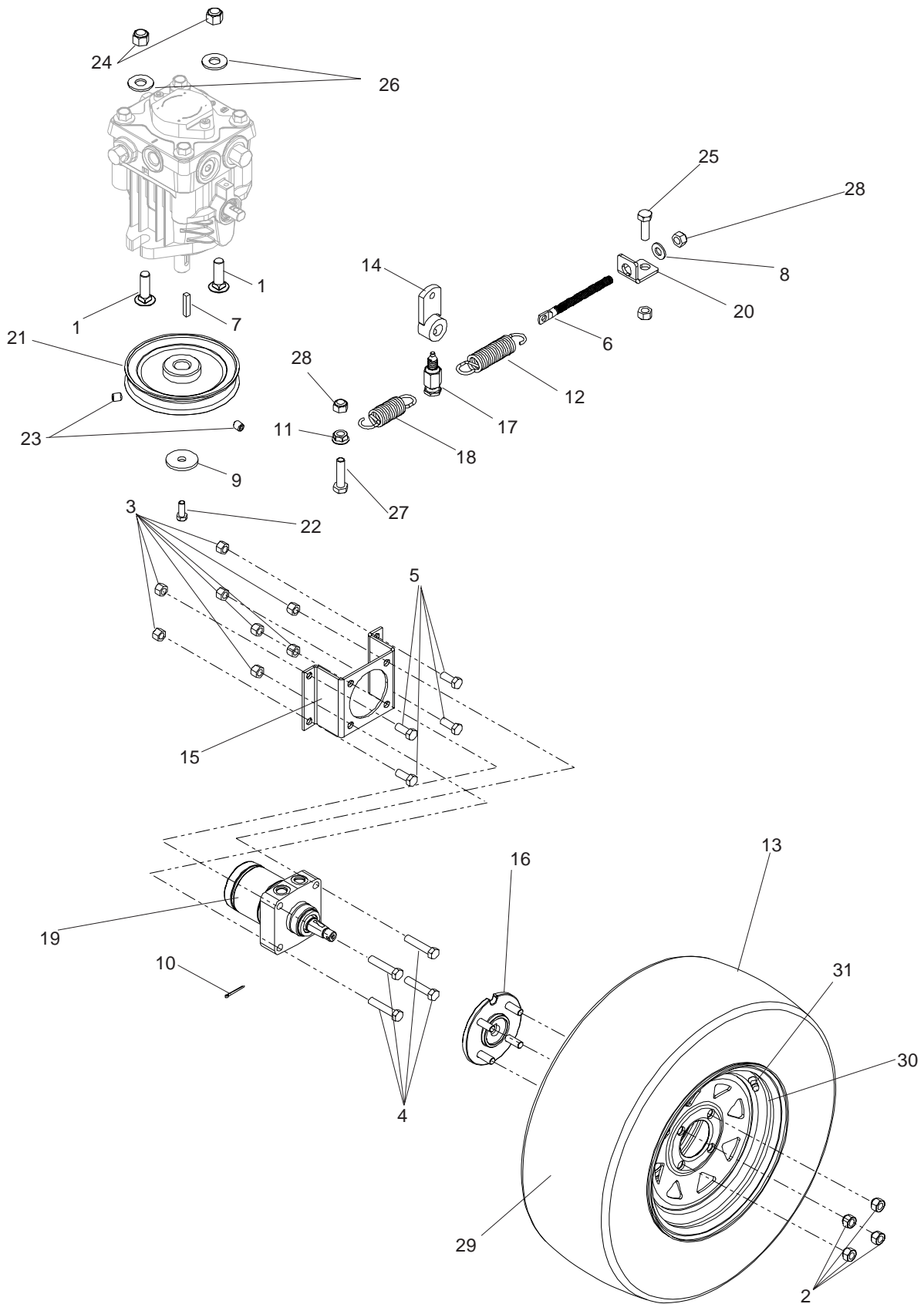
ELECTRICAL



ELECTRICAL

ITEM	PART NO.	QTY.	DESCRIPTION	ITEM	PART NO.	QTY.	DESCRIPTION
1...	539 115292	... 1 ...	TIE DOWN W/INSULATOR	NOT SHOWN:			
2...	539 115364	... 2 ...	SOLENOID/STARTER CBL	...	539 117964	... 1 ...	WIRE LOOM
3...	539 115774	... 1 ...	SOLENOID	...	539 118006	... 1 ...	ADAPTER, WIRE LOOM MODELS: 968999566, 968999619
4...	539 116400	... 1 ...	TERMINAL COVER-SM	...	539 118007	... 1 ...	ADAPTER, WIRE LOOM MODELS: 968999564, 968999565, 968999618
5...	539 117423	... 1 ...	12V BATTERY	...	539 131928	... 1 ...	ADAPTER, WIRE LOOM MODELS: 968999690, 968999731
6...	539 121331	... 1 ...	TERMINAL COVER	...	539 122997	... 1 ...	WIRE HARN, CHRГ-N-HLD
7...	539 122754	... 1 ...	BATTERY CABLE				
8...	539 976978	... 2 ...	¼-20 HEX NUT W/NYLOC				
9...	539 990053	... 4 ...	¼ INT L-WASHER				
10...	539 990188	... 2 ...	5/16 FLAT WASHER				
11...	539 990580	... 4 ...	¼-20 X .75 HHB GR 5				

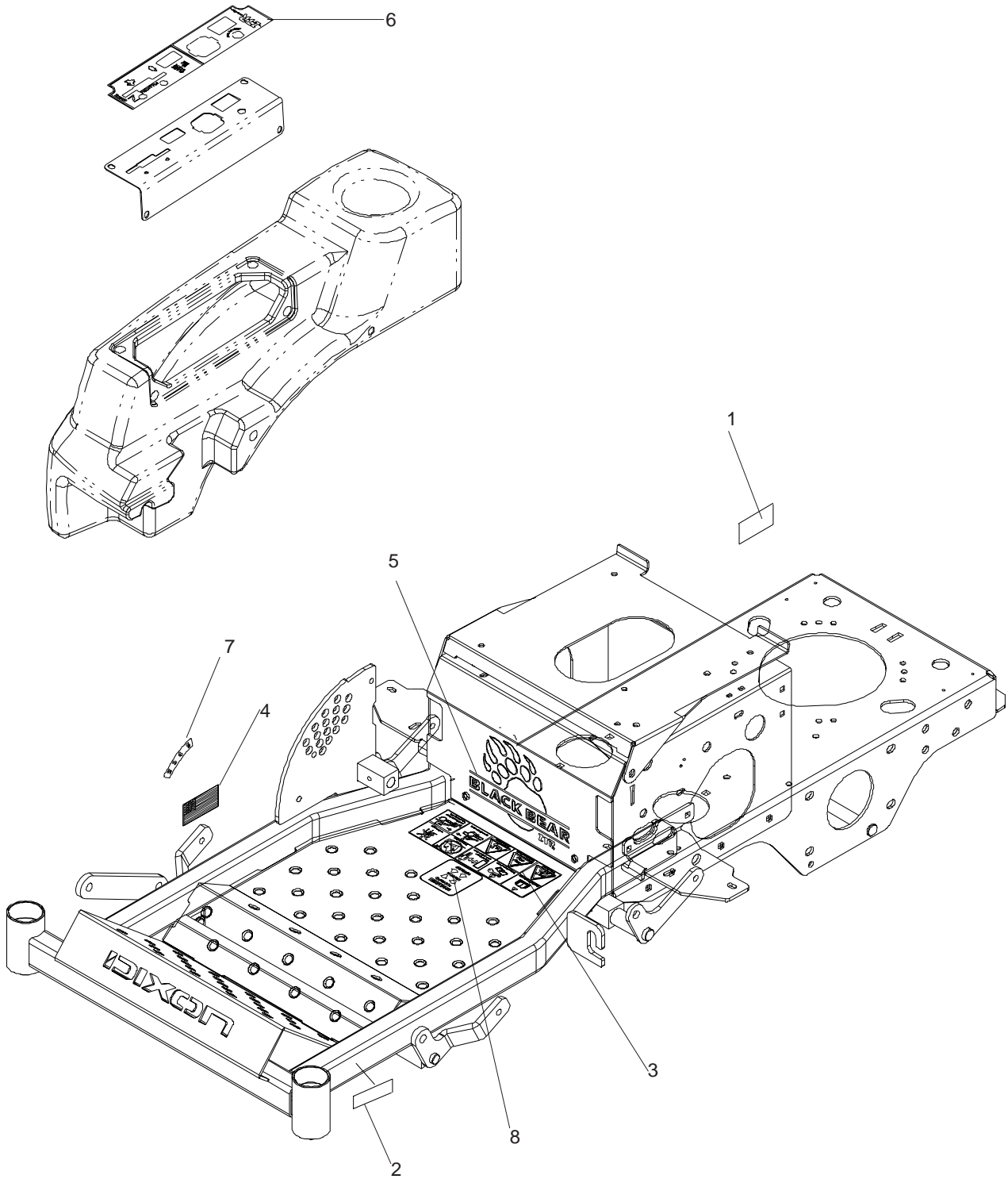
DRIVE



DRIVE

ITEM	PART NO.	QTY.	DESCRIPTION	ITEM	PART NO.	QTY.	DESCRIPTION
1...	539 100413	4...	$\frac{3}{8}$ -16 X $\frac{1}{4}$ GR 5 ZN	17...	539 117961	2...	SET SCREW W/HEX HEAD
2...	539 101173	8...	$\frac{1}{2}$ -20 UNF HEX LUGNUT	18...	539 117962	2...	SPRING
3...	539 101331	16...	$\frac{1}{2}$ -13 HEX NUT W/NYLOC	19...	539 121770	2...	MOTOR, PARKER
4...	539 108346	8...	$\frac{1}{2}$ -13 X $2\frac{1}{2}$ HHB	20...	539 121859	2...	SPRING MOUNT
5...	539 108369	8...	$\frac{1}{2}$ -13 X $1\frac{1}{4}$ HHB	21...	539 121895	2...	PULLEY
6...	539 115370	2...	BRAKE ROD	22...	539 127945	2...	M6 X 1 X 16MM HEX BOLT
7...	539 115451	2...	KEY, $\frac{3}{16}$ X 1	23...	539 976956	4...	$\frac{5}{16}$ -18 X .38 SET SCREW
8...	539 115533	2...	$\frac{5}{16}$ FLAT WASH TYPE A	24...	539 976979	4...	$\frac{3}{8}$ -16 HEX NUT W/NYLOC
9...	539 115582	2...	$\frac{5}{16}$ ID X $\frac{1}{8}$ OD WASHER	25...	539 990209	2...	$\frac{5}{16}$ -18X1 HHB
10...	539 115671	2...	COTTER PIN, $\frac{3}{32}$ X 1 LG	26...	539 990517	4...	$\frac{3}{8}$ FLAT WASHER
11...	539 115674	2...	$\frac{5}{16}$ -18 HEX FLANGE NUT	27...	539 990627	2...	$\frac{5}{16}$ -18 X $1\frac{1}{4}$ HHB
12...	539 116350	2...	SPRING	28...	539 990717	6...	$\frac{5}{16}$ -18 HEX NUT W/NYLOC
13...	539 117783	2...	TIRE ASM 23 X 8.5-12	29...	539 117808	1...	TIRE
14...	539 117816	2...	CONTROL ARM, DRILLED	30...	539 117807	1...	RIM, 12 X 7
15...	539 117837	2...	MOUNT, MOTOR	31...	539 912237	1...	VALVE STEM
16...	539 101109	2...	WHEEL HUB ASM				

DECALS



DECALS

ITEM	PART NO.	QTY.	DESCRIPTION	ITEM	PART NO.	QTY.	DESCRIPTION
1...	539 117708	... 1 ...	DECAL, PARKER	6...	539 117951	... 1 ...	DECAL, CONTROL PANEL, MODELS: 968999564, 968999565, 968999566, 968999618, 968999619
2...	539 117705	... 1 ...	DECAL, KAWASAKI, MODELS: 968999566, 968999619, 968999690, 968999731	...	539 131929	... 1 ...	DECAL, CONTROL PANEL, MODELS: 968999690, 968999731
3...	539 109908	... 1 ...	DECAL, OPERATION	7...	539 118004	... 1 ...	DECAL, CUT HEIGHT
4...	539 117709	... 1 ...	DECAL, FLAG	8...	539 119978	... 1 ...	DECAL, LEVER
5...	539 117933	... 1 ...	DECAL, BLACK BEAR				

DIXON ZTR

Part No. 539 114881 R01 (08/14/07)